



IDECO

CATALOGUE

Epoxy Coated Cast Iron Pipe And Fittings

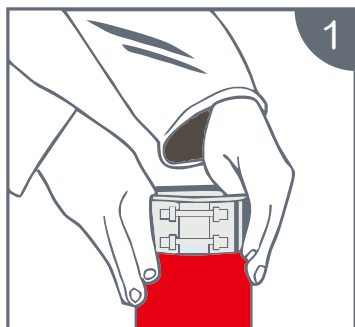
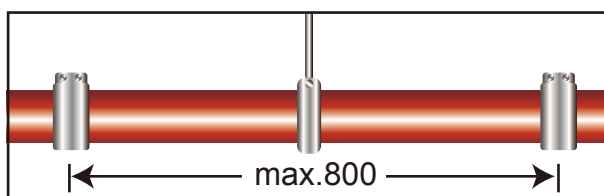
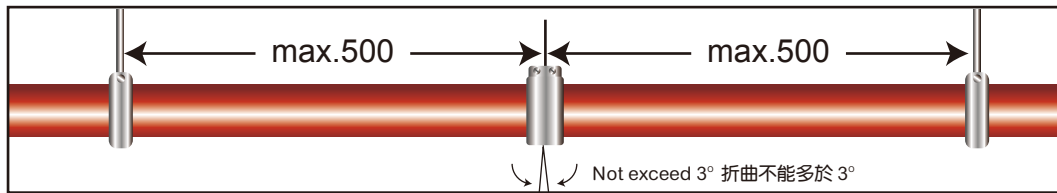
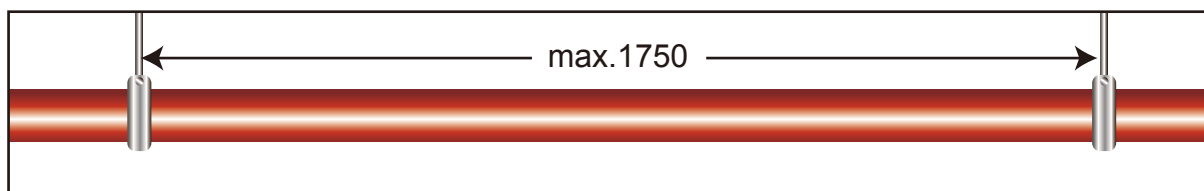
DECO EPOXY COATED CAST IRON PIPE AND FITTINGS BSEN 877

產品特性

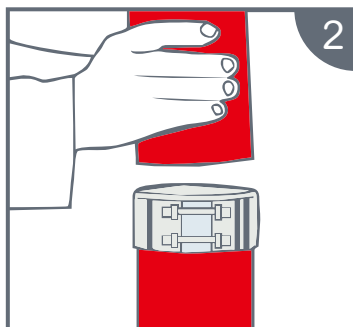


- 低噪音 Superior Noise Suppression
- 不易燃 Fire Resistance
- 防腐性能強 Corrosion Resistance
- 抗震，抗拉力強 Superior Strength
- 不易變形 Low Thermal Expansion Rates
- 接駁位防漏功能 Shielded coupling stops leaking
- 耐用 Longevity
- 安裝容易 Easy to Assemble, Install, Service

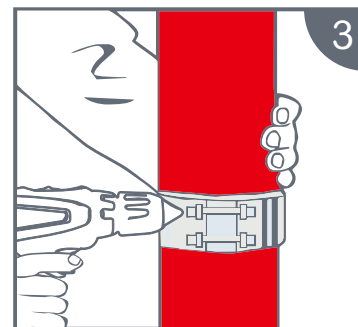
安裝指引 Installation instructions



Push the supplied complete connector on the pipe end right up to the middle spacing ring of the seal.
將卡箍推入管端直至膠圈內部中間的管位。



Push the next pipe end from the other end into the connector.
將另一管端拉入卡箍。



Firmly tighten the hexagon socket screw with a socket spanner, hand ratchet or impact screwdriver, if possible to the point where the two clamping jaws come together.
確保兩管緊接後，收緊箍上的螺絲將喉管接合。

DECO EPOXY COATED CAST IRON PIPE AND FITTINGS

DECO各系列產品的生產程序均獲得ISO 9001/9002品質標準認可證明。

香港特別行政區認可之化驗所為DECO紅坭產品進行有關之品質測試認證，確保本公司之產品符合所需的標準要求及質量保證，當中重點測試包括：

The production procedures for all DECO products are complied with the ISO 9001/9002 standard.

The certificates of DECO Epoxy Coated Cast Iron Pipe and Fittings of our company were conducted by the HKSAR authorized testing laboratory. The result proves that our products meet the required specifications and quality standards.

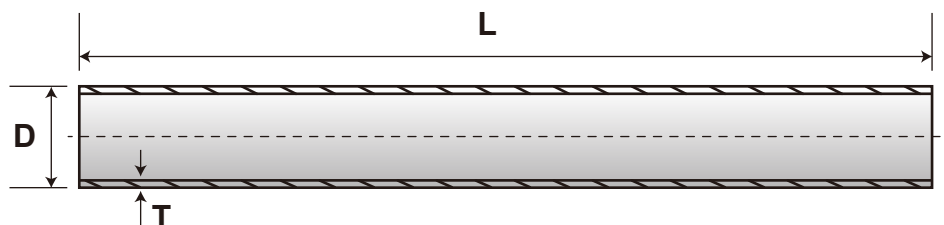
The major areas of testing were as follows:

- Overall test : BSEN877:1999 + A1:2006
- Resistance to salt spray test : 1600hours
- Ignitability test : Reaction to fire to Class A2 of BSEN13501-1
- Elastomeric gasket test for coupling

Code	Description	Normal Size (mm)	External Diameter D (mm)		Wall thickness T (mm)		Length L (mm)
			Nominal value	Tolerance	Nominal value	Minimum value	
RPD-040	1-1/2" Pipe	40	48	+ 2.0 - 1.0	3.0	2.5	3000±20
RPD-050	2" Pipe	50	58	+ 2.0 - 1.0	3.5	3.0	3000±20
RPD-075	3" Pipe	75	83	+ 2.0 - 1.0	3.5	3.0	3000±20
RPD-100	4" Pipe	100	110	+ 2.0 - 1.0	3.5	3.0	3000±20
RPD-150	6" Pipe	150	160	+ 2.0 - 2.0	4.0	3.5	3000±20
RPD-200	8" Pipe	200	210	+ 2.5 - 2.5	5.0	4.0	3000±20
RPD-250	10" Pipe	250	274	+ 2.5 - 2.5	5.5	4.5	3000±20
RPD-300	12" Pipe	300	326	+ 2.5 - 2.5	6.0	5.0	3000±20

DECO BSEN877 DN 150 x 3M 11 13

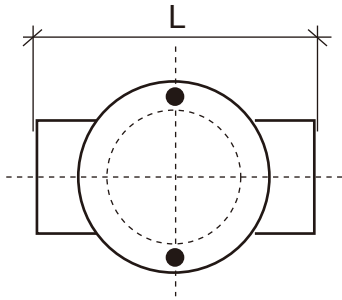
DECO BSEN877 DN 150 x 3M 12 13



DECO EPOXY COATED CAST IRON PIPE AND FITTINGS BSEN 877

DERAT

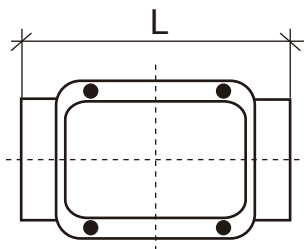
有奄短坭(圓奄) Short Pipe With Circular Access Door



Code	Nominal Size (mm)	Length L (mm)
AT-050	50	190
AT-075	75	220
AT-100	100	260
AT-150	150	395
AT-200	200	465

DERAT

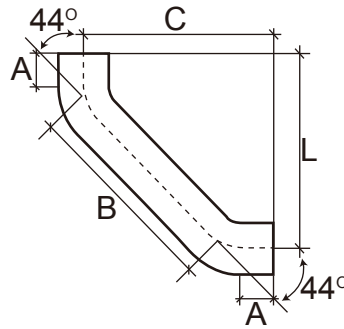
有奄短坭(方奄) Short Pipe With Rectangular Access Door



Code	Nominal Size (mm)	Length L (mm)
AT-250	250	500
AT-300	300	640

DER001

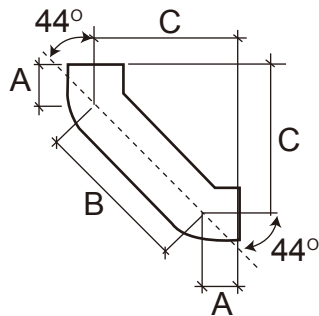
雙長彎邊 Double Bend



Code	Nominal Size (mm)	A (mm)	B (mm)	C (mm)
001-100	100	70	312	291

DER001

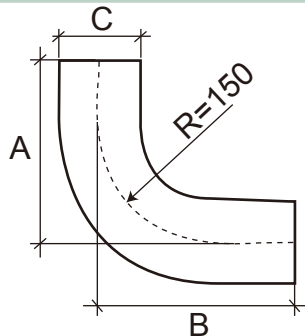
雙短彎邊 Double Short Bend



Code	Nominal Size (mm)	A (mm)	B (mm)	C (mm)
001-150SH	150	90	180	219

DER001

大彎邊 Long Bend



Code	Nominal Size (mm)	A (mm)	B (mm)	C (mm)
001-100L	100	272	272	112
001-150L	150	277	277	161

本公司保留修改本說明書之任何內容而不需事先通知。

The company reserves the right to change the contents of the manual without prior notice.

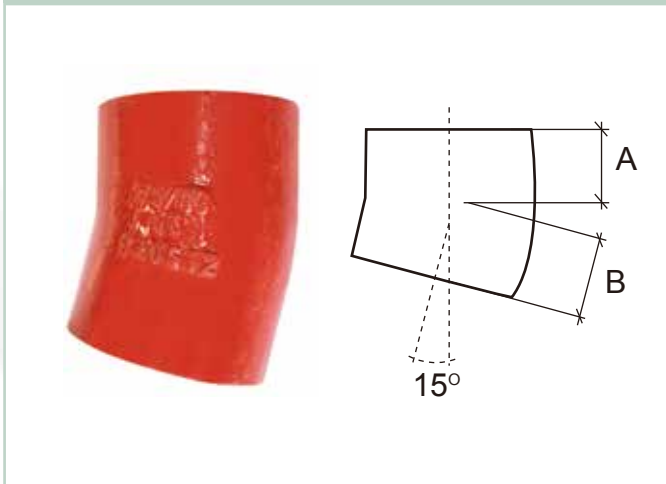
本說明書中的有關特性描述僅供參考。

The technical specifications & pictures stated in this manual are for reference only.

DECO EPOXY COATED CAST IRON PIPE AND FITTINGS BSEN 877

DER1150

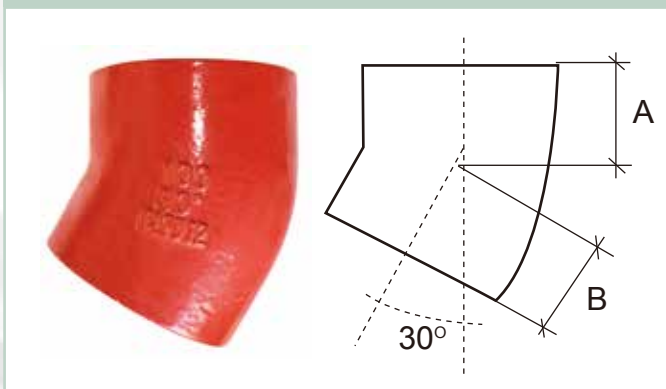
15° 15° Short Bend



Code	Nominal Size (mm)	A(mm)	B(mm)
1150-100	100	50	50

DER1030

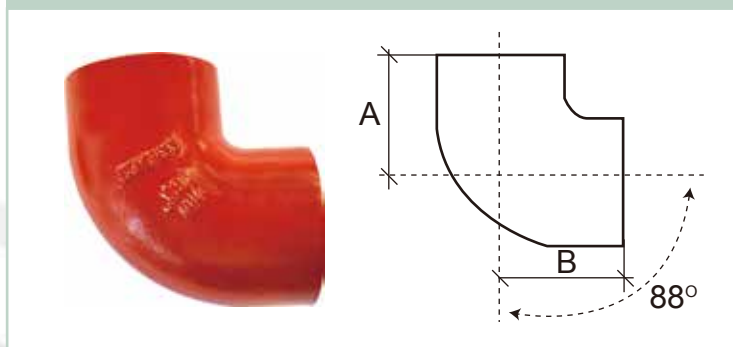
30° 30° Short Bend



Code	Nominal Size (mm)	A(mm)	B(mm)
1030-100	100	60	60

DER1090

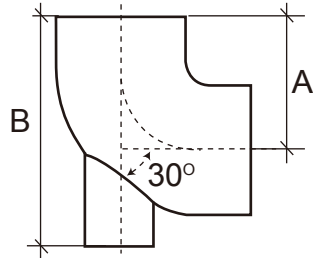
88° 88° Short Bend



Code	Nominal Size (mm)	A (mm)	B (mm)
1090-050	50	75	75
1090-075	75	95	95
1090-100	100	110	110
1090-150	150	145	145
1090-200	200	180	180
1090-250	250	230	230
1090-300	300	260	260

DER109

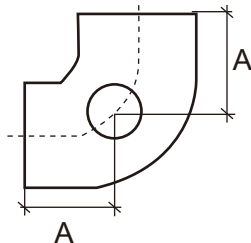
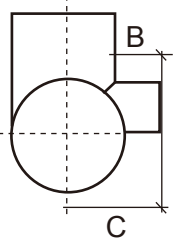
企頭曲 88°Bend With Axial Ventilation



Code	Nominal Size (mm)	A (mm)	B (mm)
109-100x50	100x50	112	202

DER109B

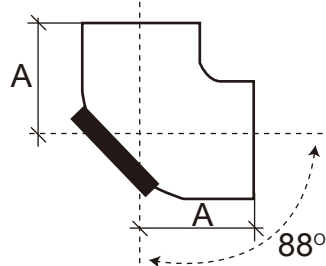
88°度仔仔曲 88°Bend With Radial Ventilation



Code	Nominal Size (mm)	A (mm)	B (mm)	C (mm)
109B-100x50	100x50	95	42	100

DER1090A

88°奄曲 88°Short Bend With Access Door



Code	Nominal Size (mm)	A (mm)
1090A-100	100	110
1090A-150	150	145

本公司保留修改本說明書之任何內容而不需事先通知。

The company reserves the right to change the contents of the manual without prior notice.

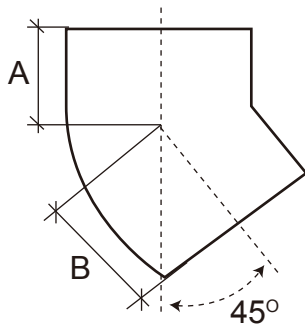
本說明書中的有關特性描述僅供參考。

The technical specifications & pictures stated in this manual are for reference only.

DECO EPOXY COATED CAST IRON PIPE AND FITTINGS BSEN 877

DER1120

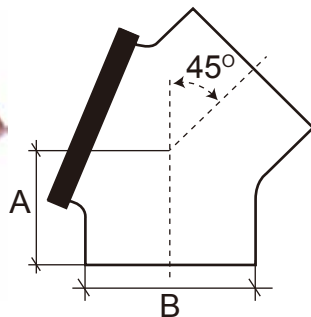
45°曲 45°Short Bend



Code	Nominal Size (mm)	A (mm)	B (mm)
1120-050	50	50	50
1120-075	75	60	60
1120-100	100	70	70
1120-150	150	90	90
1120-200	200	110	110
1120-250	250	130	130
1120-300	300	160	160

DER1120A

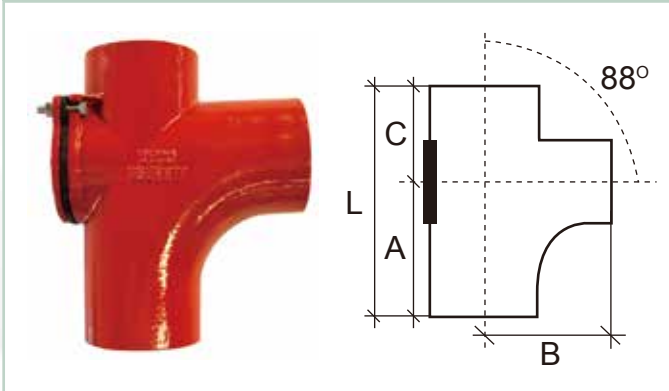
45°奄曲 45°Short Bend With Access Door



Code	Nominal Size (mm)	A (mm)	B (mm)
1120A-100	100x100	90	110
1120A-150	150x150	113	161

DER1130A

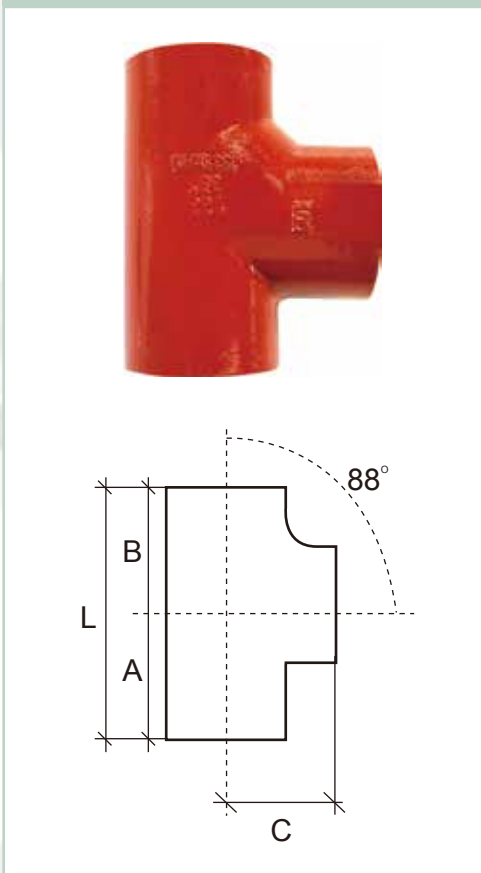
88° 奄叉 88° Single Branch With Access Door



Code	Nominal Size (mm)	A (mm)	B (mm)	C (mm)	L (mm)
1130A-100	100x100	168	150	102	270
1130A-150	150x150	206	190	142	348
1130RA-100x050	100x50	105	108	100	205
1130RA-150x100	150x100	140	145	140	280

DER1130

88° 三叉 88° Single Branch



Code	Nominal Size (mm)	A (mm)	B (mm)	C (mm)	L (mm)
1130-050	50x50	79	80	66	145
1130-075	75x75	97	83	95	180
1130-100	100x100	115	117	100	220
1130-150	150x150	158	157	142	300
1130-200	200x200	180	180	184	364
1130-250	250x250	225	225	230	455
1130-300	300x300	265	265	271	536
1130R-075X050	75x50	83	72	90	155
1130R-100X050	100x50	94	76	105	170
1130R-100X075	100x75	85	110	111	195
1130R-150X075	150x75	115	100	140	215
1130R-150X100	150x100	130	115	145	245
1130R-200X100	200x100	165	165	160	325
1130R-200X150	200x150	170	175	176	346
1130-250X150	250x150	188	170	228	358
1130R-300X250	300x250	254	238	273	492

本公司保留修改本說明書之任何內容而不需事先通知。

The company reserves the right to change the contents of the manual without prior notice.

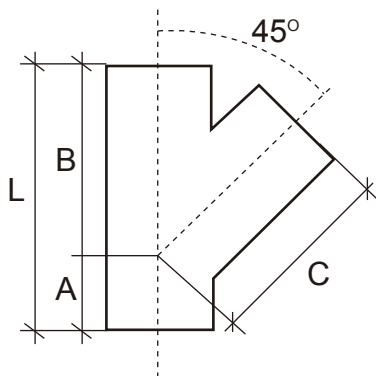
本說明書中的有關特性描述僅供參考。

The technical specifications & pictures stated in this manual are for reference only.

DECO EPOXY COATED CAST IRON PIPE AND FITTINGS BSEN 877

DER1110

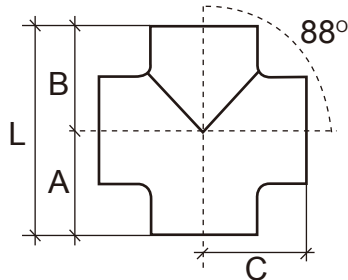
45°三叉 45°Single Branches



Code	Nominal Size (mm)	A (mm)	B (mm)	C (mm)	L (mm)
1110-050	50x50	45	115	115	160
1110-075	75x75	65	160	160	225
1110-100	100x100	70	190	190	260
1110-150	150x150	90	265	265	355
1110-200	200x200	115	340	340	455
1110-250	250x250	145	488	500	560
1110-300	300x300	190	580	565	660
1110R-075x050	75x50	50	140	140	190
1110R-100x050	100x50	35	165	165	200
1110R-100x075	100x75	55	175	175	230
1110R-150x100	150x100	55	240	240	295
1110R-200x150	200x150	75	300	300	375

DER1180

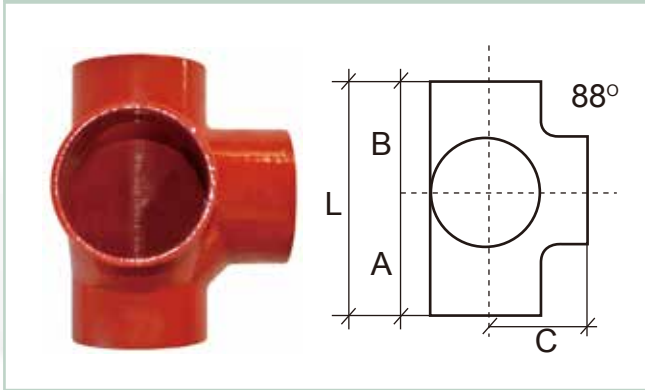
88°十字叉 88°Double Branches



Code	Nominal Size (mm)	A (mm)	B (mm)	C (mm)	L (mm)
1180-100	100x100	120	110	120	230
1180-100x050	100x50	100	80	105	180
1180-150x100	150x100	130	115	145	245

DER1180B

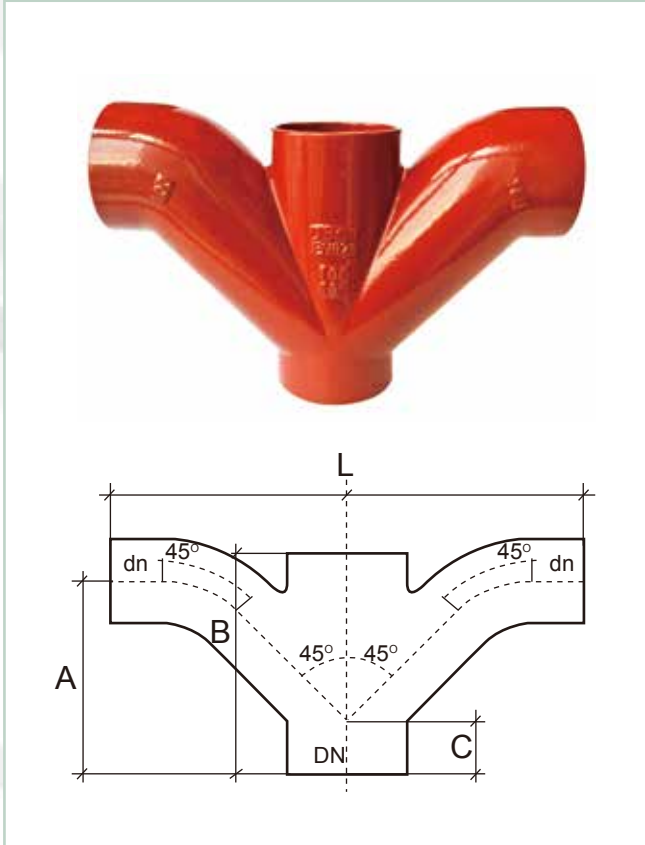
88°立體十字叉 88°Corner Double Branches



Code	Nominal Size (mm)	A (mm)	B (mm)	C (mm)	L (mm)
1180B-100x050	100x50	100	80	105	180
1180B-100	100x100	115	105	120	220

DER1180TY

牛角叉 Horn Branch Tee



Code	Nominal Size (mm)	A (mm)	B (mm)	C (mm)	L (mm)
1180TY-100	100	235	241	62	508

本公司保留修改本說明書之任何內容而不需事先通知。

The company reserves the right to change the contents of the manual without prior notice.

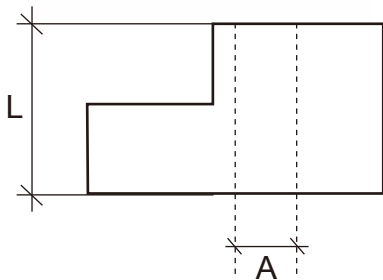
本說明書中的有關特性描述僅供參考。

The technical specifications & pictures stated in this manual are for reference only.

DECO EPOXY COATED CAST IRON PIPE AND FITTINGS BSEN 877

DER1240

刁士 Reducer



Code	Nominal Size (mm)	A (mm)	L (mm)
1240-075x050	75x50	12.5	80
1240-100x050	100x50	25	80
1240-100x075	100x75	13.5	90
1240-150x075	150x75	41	100
1240-150x100	150x100	25	105
1240-200x100	200x100	50	115
1240-200x150	200x150	25	125
1240-250x150	250x150	57	135
1240-250x200	250x200	32	145

DER301

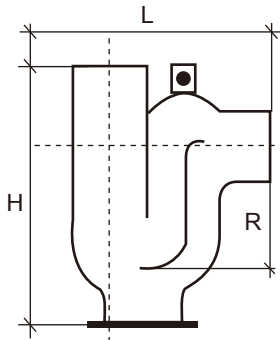
喉帽 Plug



Code	Nominal Size (mm)	L (mm)
301-050	50	30
301-075	75	35
301-100	100	40
301-150	150	50
301-200	200	60
301-250	250	70
301-300	300	80

DERP

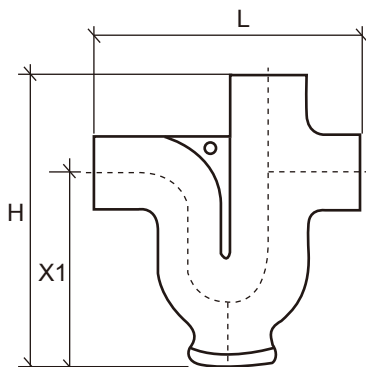
防吸力格氣(三通) Anti-Siphonic Trap



Code	Nominal Size (mm)	L (mm)	H (mm)	R (mm)
50A	50	184	251	80
75A	75	236	275	80
100A	100	322	372	109

DERP

格氣(四通) Trap



Code	Nominal Size (mm)	L (mm)	H (mm)	X1 (mm)
100	100	325	392	282
150	150	470	493	348

本公司保留修改本說明書之任何內容而不需事先通知。

The company reserves the right to change the contents of the manual without prior notice.

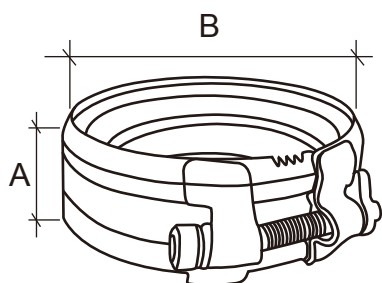
本說明書中的有關特性描述僅供參考。

The technical specifications & pictures stated in this manual are for reference only.

DECO EPOXY COATED CAST IRON PIPE AND FITTINGS BSEN 877

DER270

不銹鋼箍(B型) Coupling (Type B) S.S.304 / S.S.316 Coupling

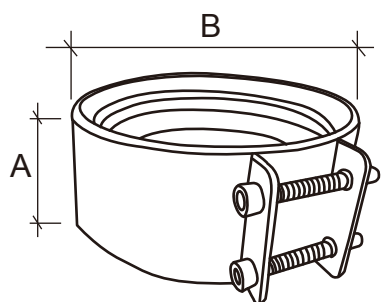


Code	Nominal Size (mm)	A (mm)	B (mm)
270-040-B	40	42	59
270-050-B	50	42	71
270-075-B	75	45	97
270-100-B	100	45	123
270-150-B	150	54	178
270-200-B	200	66	228

不銹鋼材質 Stainless Steel Material : S.S. 304 / S.S. 316

DER270

不銹鋼箍(CHA型) Coupling (Type CHA)

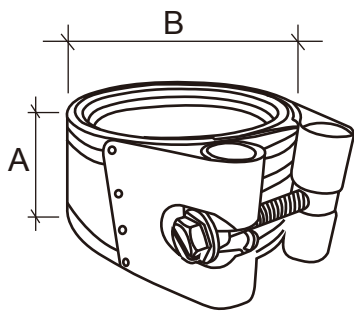


Code	Nominal Size (mm)	A (mm)	B (mm)
270-050-C	50	58	68
270-075-C	75	58	96
270-100-C	100	58	120
270-150-C	150	72	168
270-200-C	200	84	226
270-250-C	250	142	280
270-300-C	300	142	350

不銹鋼材質 Stainless Steel Material : S.S. 304 / S.S. 316

DER270

不銹鋼箍(E型) Coupling (Type E)



Code	Nominal Size (mm)	A (mm)	B (mm)
270-050-E	50	55	69
270-075-E	75	56	95
270-100-E	100	56	124
270-150-E	150	78	170

不銹鋼材質 Stainless Steel Material : S.S. 304 / S.S. 316

本公司保留修改本說明書之任何內容而不需事先通知。

The company reserves the right to change the contents of the manual without prior notice.

本說明書中的有關特性描述僅供參考。

The technical specifications & pictures stated in this manual are for reference only.

 **DECO**